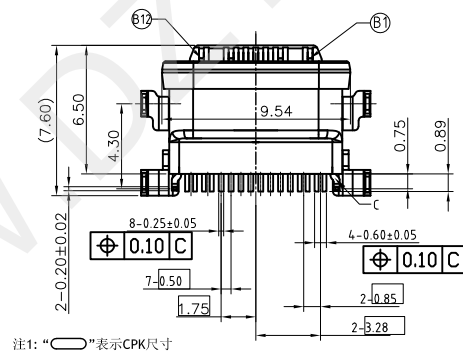
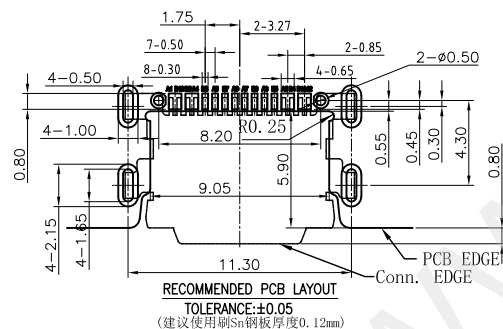
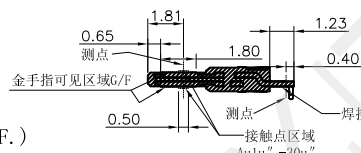
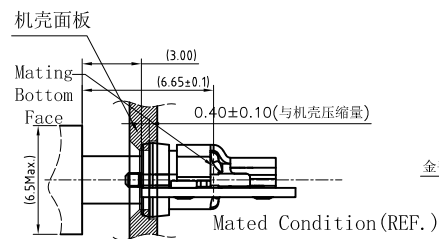


NOTES:

- ELECTRICAL CHARACTERISTICS:
 - CONTACT CURRENT RATING:3A
 - CONTACT RATED VOLTGE:5VDC;
 - CONTACT RESISTANCE; INTIAL: 40mohm Max. AFTER: $\Delta < 10$ mohm
 - INSULATION RESISTANCE:100Mohm Min;
 - WITHSTANDING STRENGTH:100V AC FOR 1 MINUTE;
- MECHANICAL CHARACTERISTICS:
 - INSERTION FORCE:INITIAL 6-20N ; AFTER 5-20N;
 - EXTRACTION FORCE:NTIAL 8-20N; AFTER 6-20N;
 - DURABILITY:10000 CYCLES
- RoHS OR HF COMPLIANT
- ENVIRONMENTAL PERFORMANCE:
 - OPERATING TEMPERATURE:-20℃~+85℃.
- RECOMMENDED PROCESS:
 - THE PEAK TEMPERATURE ON THE BOARD SHALL MAINTAIN 10±1 SECONDS AT 260±5℃.
- Water Resistance: IPX7



注1: "O"表示CPK尺寸

H	LIM	1	SILICONE	UL94V-0, BLACK
G	GLUE	1	SILICONE	UL94V-0
F	OUTER SHELL	1	Stainless Steel,T=0.30	OVER ALL:50u" Min Ni UNDERPLATED SOLDER TAIL:G/F Au PLATED
E	INNER SHELL	1	Stainless Steel,T=0.20	CLEAN
D	SOLDER-PLATE	1	Stainless Steel,T=0.10	CLEAN
C	HOUSING	1	High-Temp Plastics	UL94V-0,Color:Black.
B	MID-PLATE	1	Stainless Steel,T=0.20	OVER ALL:50u" Min Ni PLATED
A	CONTACTS	16	Copper Alloy T=0.25mm	CONTACT AREA: 1~30u" Au Min SOLDER TAIL: G/FAu OVER ALL: 50u" Ni UNDERPLATED
ITEM	NAME	Q' TY	MATERIAC	FINISH

深圳市华宇创精密电子有限公司

TOLERANCE: X.X ±0.30 X.XX ±0.25 X.XXX ±0.15 X' ±2" X.X" ±0.5"	DRAWN BY : 陈一鸣	DATE : 2014-02-23	PART NAME: USB TYPE C 防水母座16P 沉板1.13 外露0.8 四脚插板
	CHECKED BY: 马跃	DATE : 2014-02-23	PART NO. HVC688-USBC16-113
UNIT: mm [inch] SCALE:1:1 SIZE: A4	APPROVED BY: 邱敏	DATE : 2014-02-23	DRAW NO: HVC-2603140943
			SHEET NO. 1 OF 1